


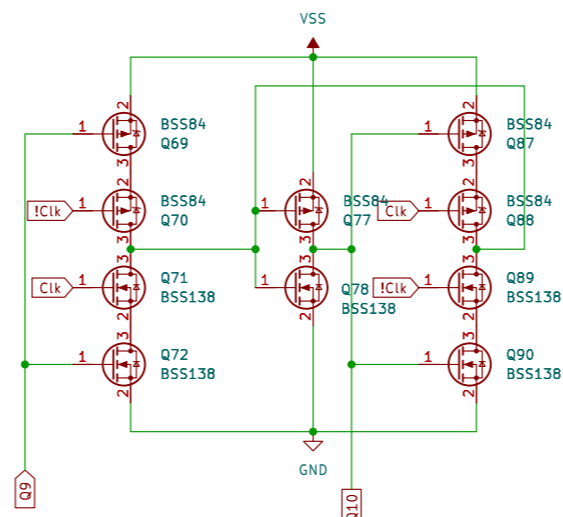
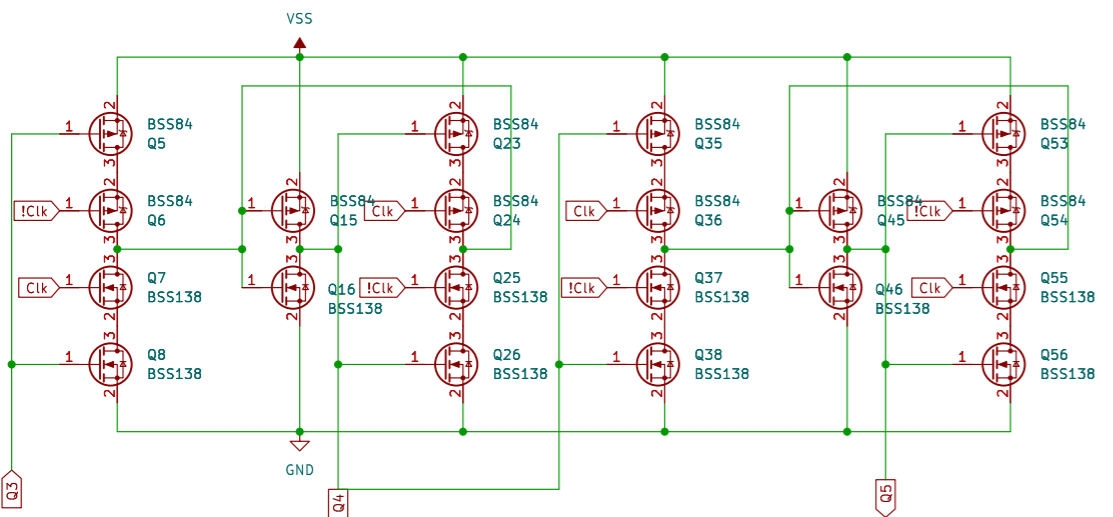
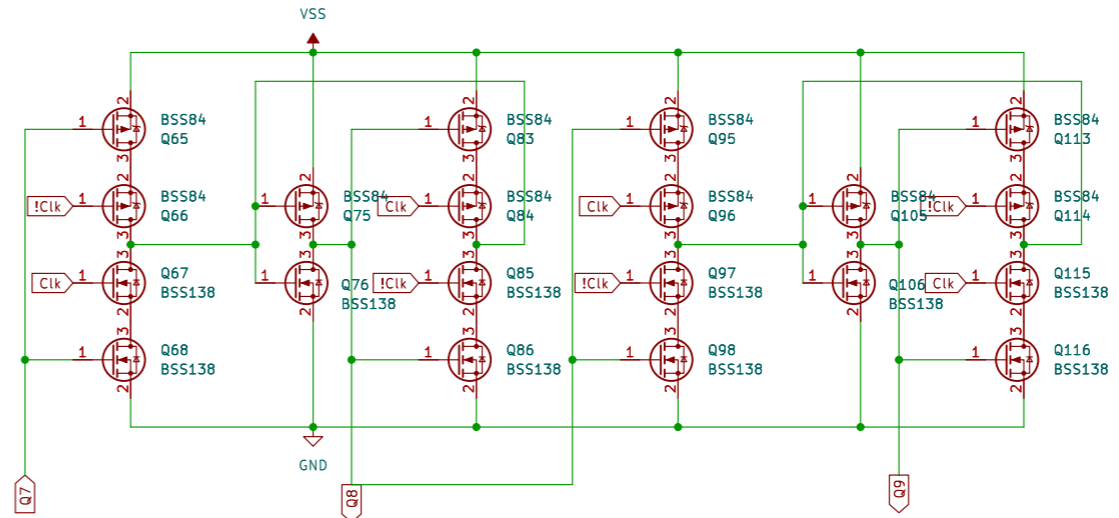
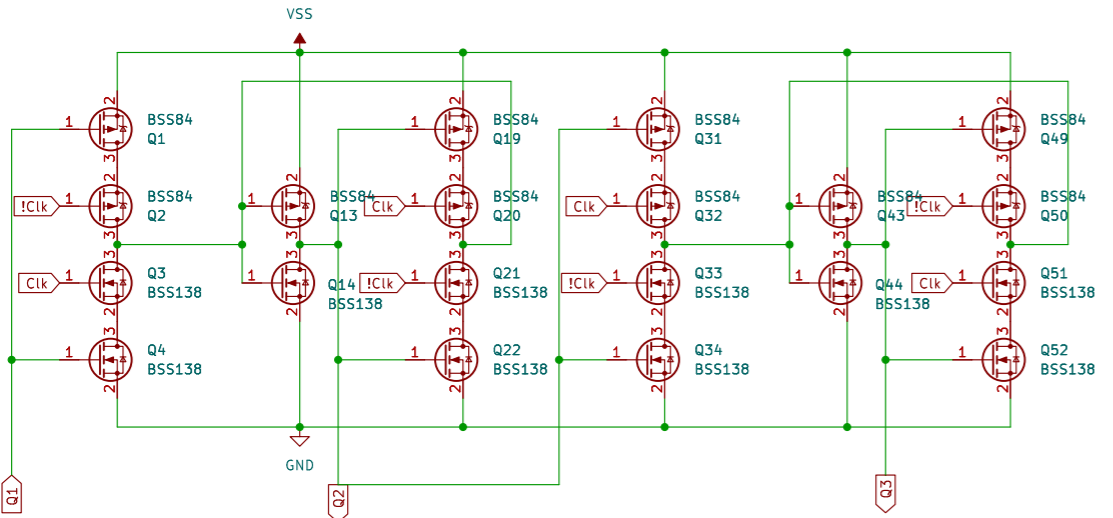
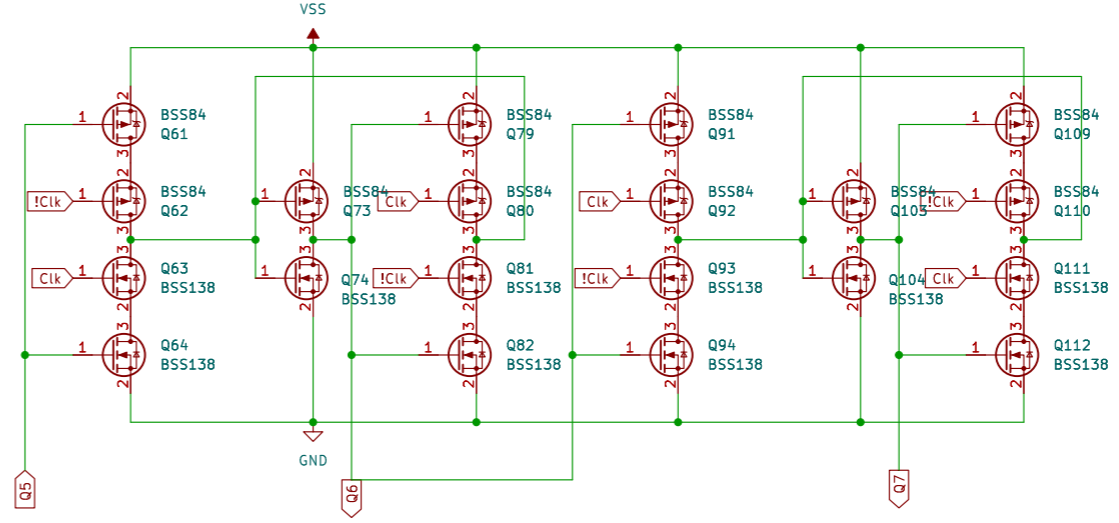
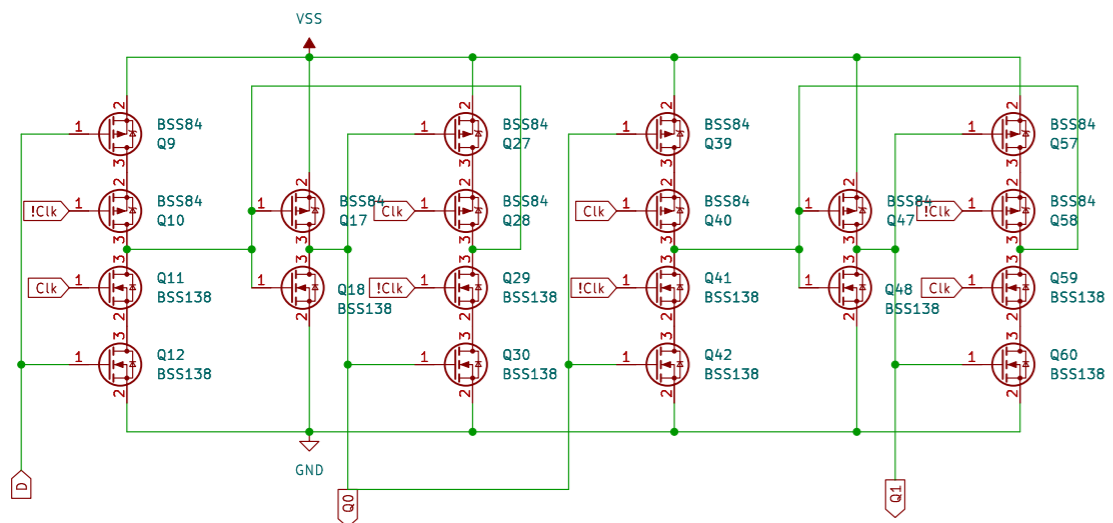
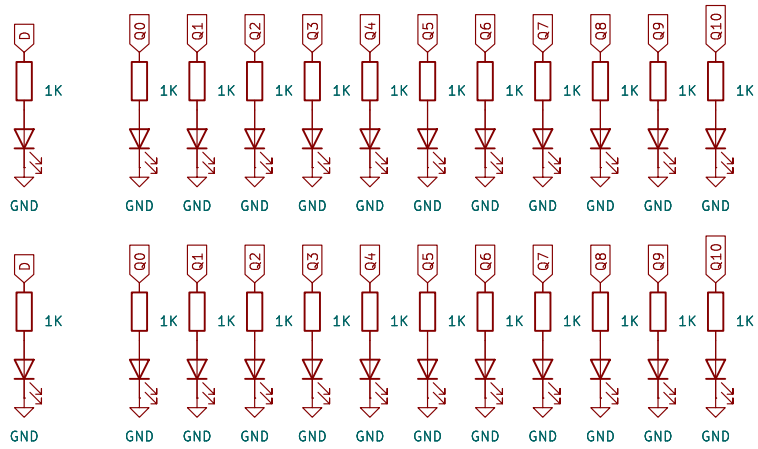


<p>Utilities</p>  <p>File: utilities.kicad_sch</p>		<p>✖ XK1 XKGraphic</p> <p>✖ XK2 XKGraphic</p>													
<p>Shift Reg</p>  <p>File: shiftreg.kicad_sch</p>															
<p>Leds</p>  <p>File: leds.kicad_sch</p>															
					<table border="1"> <tr> <td colspan="2">Sheet: /</td> </tr> <tr> <td colspan="2">File: QR-flipflop.kicad_sch</td> </tr> <tr> <td colspan="2">Title:</td> </tr> <tr> <td>Size: A4</td> <td>Date:</td> </tr> <tr> <td>KiCad E.D.A. 9.0.7</td> <td>Rev: Id: 1/4</td> </tr> </table>	Sheet: /		File: QR-flipflop.kicad_sch		Title:		Size: A4	Date:	KiCad E.D.A. 9.0.7	Rev: Id: 1/4
Sheet: /															
File: QR-flipflop.kicad_sch															
Title:															
Size: A4	Date:														
KiCad E.D.A. 9.0.7	Rev: Id: 1/4														





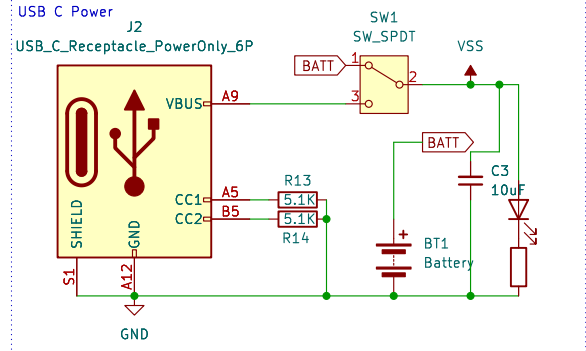
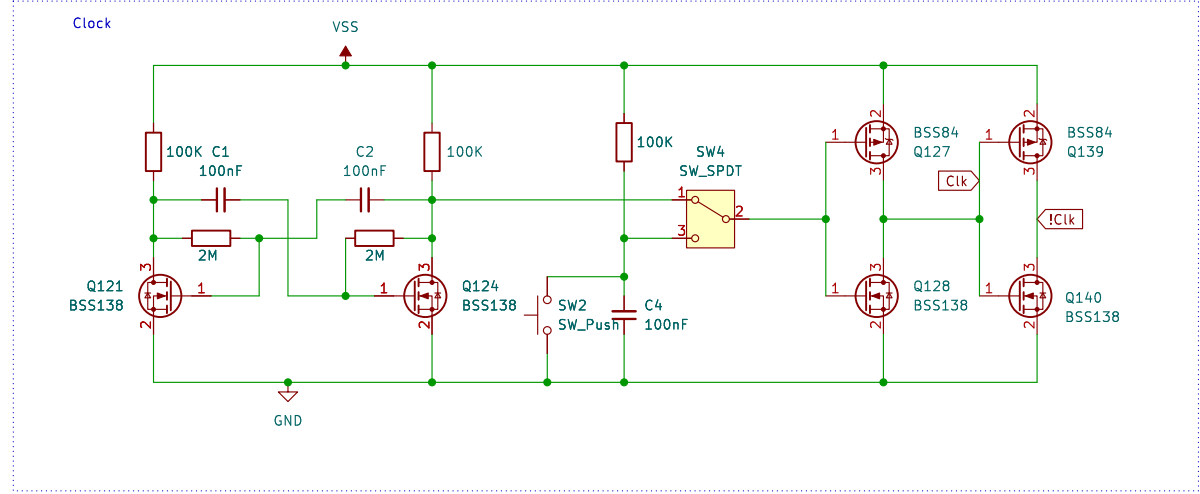
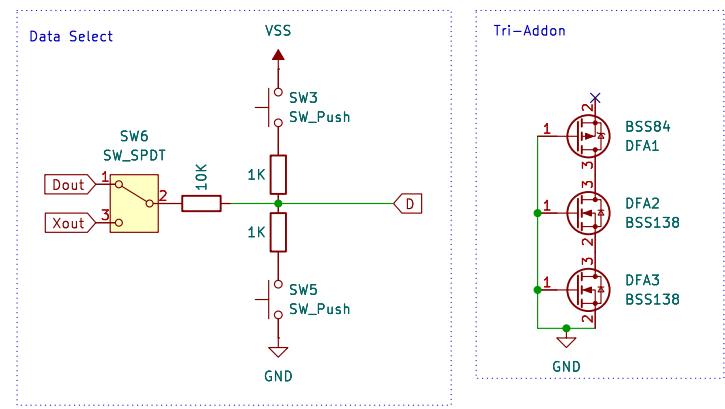
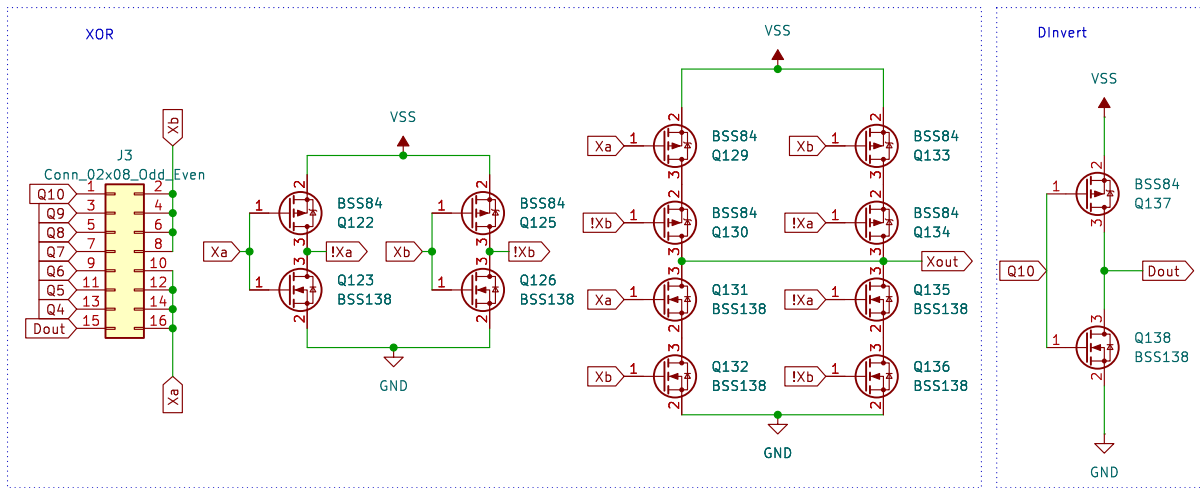
Sheet: /Leds/
 File: leds.kicad_sch

Title:

Size: A4
 KiCad E.D.A. 9.0.7

Date:

Rev:
 Id: 4/4



- H1 MountingHole
- H2 MountingHole

Sheet: /Utilities/
File: utilities.kicad_sch

Title:

Size: A4 Date:
KiCad E.D.A. 9.0.7

Rev:
Id: 4/4